

INTERNATIONAL STANDARD



**Connectors for electrical and electronic equipment – Product requirements –
Part 3-122: Detail specification for 8-way, shielded, free and fixed connectors for
I/O and Gigabit Ethernet applications in harsh environments**



THIS PUBLICATION IS COPYRIGHT PROTECTED
Copyright © 2017 IEC, Geneva, Switzerland

All rights reserved. Unless otherwise specified, no part of this publication may be reproduced or utilized in any form or by any means, electronic or mechanical, including photocopying and microfilm, without permission in writing from either IEC or IEC's member National Committee in the country of the requester. If you have any questions about IEC copyright or have an enquiry about obtaining additional rights to this publication, please contact the address below or your local IEC member National Committee for further information.

IEC Central Office
3, rue de Varembe
CH-1211 Geneva 20
Switzerland

Tel.: +41 22 919 02 11
Fax: +41 22 919 03 00
info@iec.ch
www.iec.ch

About the IEC

The International Electrotechnical Commission (IEC) is the leading global organization that prepares and publishes International Standards for all electrical, electronic and related technologies.

About IEC publications

The technical content of IEC publications is kept under constant review by the IEC. Please make sure that you have the latest edition, a corrigenda or an amendment might have been published.

IEC Catalogue - webstore.iec.ch/catalogue

The stand-alone application for consulting the entire bibliographical information on IEC International Standards, Technical Specifications, Technical Reports and other documents. Available for PC, Mac OS, Android Tablets and iPad.

IEC publications search - www.iec.ch/searchpub

The advanced search enables to find IEC publications by a variety of criteria (reference number, text, technical committee,...). It also gives information on projects, replaced and withdrawn publications.

IEC Just Published - webstore.iec.ch/justpublished

Stay up to date on all new IEC publications. Just Published details all new publications released. Available online and also once a month by email.

Electropedia - www.electropedia.org

The world's leading online dictionary of electronic and electrical terms containing 20 000 terms and definitions in English and French, with equivalent terms in 16 additional languages. Also known as the International Electrotechnical Vocabulary (IEV) online.

IEC Glossary - std.iec.ch/glossary

65 000 electrotechnical terminology entries in English and French extracted from the Terms and Definitions clause of IEC publications issued since 2002. Some entries have been collected from earlier publications of IEC TC 37, 77, 86 and CISPR.

IEC Customer Service Centre - webstore.iec.ch/csc

If you wish to give us your feedback on this publication or need further assistance, please contact the Customer Service Centre: csc@iec.ch.



IEC 61076-3-122

Edition 1.0 2017-05

INTERNATIONAL STANDARD



**Connectors for electrical and electronic equipment – Product requirements –
Part 3-122: Detail specification for 8-way, shielded, free and fixed connectors for
I/O and Gigabit Ethernet applications in harsh environments**

INTERNATIONAL
ELECTROTECHNICAL
COMMISSION

ICS 31.220.10

ISBN 978-2-8322-4276-6

Warning! Make sure that you obtained this publication from an authorized distributor.

CONTENTS

FOREWORD.....	4
1 Scope.....	7
2 Normative references	7
3 Terms and definitions	8
4 Mating information.....	9
4.1 General.....	9
4.2 Contacts – mating conditions	9
4.3 Fixed connector Type I	10
4.4 Free connector Type I.....	12
4.5 Fixed connector Type II	14
4.6 Free connector Type II.....	16
5 Characteristics	17
5.1 General.....	17
5.2 Pin and pair grouping assignment	17
5.3 Classification into climatic category	18
5.4 Electrical characteristics	19
5.4.1 Voltage proof.....	19
5.4.2 Voltage rating	19
5.4.3 Current-temperature derating.....	19
5.4.4 Initial insulation resistance	20
5.5 Mechanical characteristics	20
5.5.1 Mechanical operation.....	20
5.5.2 Insertion and withdrawal forces	20
5.6 Transmission performance	20
5.6.1 General	20
5.6.2 Insertion loss	21
5.6.3 Return loss	21
5.6.4 Near end cross talk.....	21
5.6.5 Far end cross talk	21
5.6.6 Transverse conversion loss	21
5.6.7 Transfer conversion transfer loss.....	21
5.6.8 Transfer impedance	21
6 Tests and test schedule.....	22
6.1 General.....	22
6.2 Arrangement for contact resistance test (Figure 8)	22
6.3 Arrangement for vibration test (test phase DP3) (Figure 9).....	23
6.4 Test procedures and measuring methods.....	23
6.5 Preconditioning.....	24
6.6 Test schedules.....	24
6.6.1 General	24
6.6.2 Basic (minimum) test schedule	24
6.6.3 Full test schedule	24
7 Mounting of specimens	31

Figure 1 – Contact interface dimensions with a free (male) connector (right side) mated with a fixed (female) connector (left side) 9

Figure 2 – Fixed female connector Type I 10

Figure 3 – Free male connector Type I..... 12

Figure 4 – Fixed (female) connector Type II 14

Figure 5 – Free (male) connector Type II 16

Figure 6 – Fixed connector pin and pair grouping assignment for Type I (left, with coding edges on one short side) and Type II (right, with coding edges on one long side), front view of connector 18

Figure 7 – Connector de-rating curve 20

Figure 8 – Arrangement for contact resistance test 22

Figure 9 – Arrangement for vibration test 23

Table 1 – Dimensions for Figure 1 9

Table 2 – Dimensions for Figure 2 11

Table 3 – Dimensions for Figure 3 13

Table 4 – Dimensions for Figure 4 15

Table 5 – Dimensions for Figure 5 17

Table 6 – Pin assignment for 10/100 Mb Ethernet 18

Table 7 – Pin assignment for 1 Gb Ethernet..... 18

Table 8 – Climatic category..... 19

Table 9 – Test group P 25

Table 10 – Test group AP 25

Table 11 – Test group BP 27

Table 12 – Test group CP 28

Table 13 – Test group DP 29

Table 14 – Test group EP 30

Table 15 – Test group FP 31

INTERNATIONAL ELECTROTECHNICAL COMMISSION

**CONNECTORS FOR ELECTRICAL AND ELECTRONIC EQUIPMENT –
PRODUCT REQUIREMENTS –**

**Part 3-122: Detail specification for 8-way, shielded, free and fixed
connectors for I/O and Gigabit Ethernet applications
in harsh environments**

FOREWORD

- 1) The International Electrotechnical Commission (IEC) is a worldwide organization for standardization comprising all national electrotechnical committees (IEC National Committees). The object of IEC is to promote international co-operation on all questions concerning standardization in the electrical and electronic fields. To this end and in addition to other activities, IEC publishes International Standards, Technical Specifications, Technical Reports, Publicly Available Specifications (PAS) and Guides (hereafter referred to as "IEC Publication(s)"). Their preparation is entrusted to technical committees; any IEC National Committee interested in the subject dealt with may participate in this preparatory work. International, governmental and non-governmental organizations liaising with the IEC also participate in this preparation. IEC collaborates closely with the International Organization for Standardization (ISO) in accordance with conditions determined by agreement between the two organizations.
- 2) The formal decisions or agreements of IEC on technical matters express, as nearly as possible, an international consensus of opinion on the relevant subjects since each technical committee has representation from all interested IEC National Committees.
- 3) IEC Publications have the form of recommendations for international use and are accepted by IEC National Committees in that sense. While all reasonable efforts are made to ensure that the technical content of IEC Publications is accurate, IEC cannot be held responsible for the way in which they are used or for any misinterpretation by any end user.
- 4) In order to promote international uniformity, IEC National Committees undertake to apply IEC Publications transparently to the maximum extent possible in their national and regional publications. Any divergence between any IEC Publication and the corresponding national or regional publication shall be clearly indicated in the latter.
- 5) IEC itself does not provide any attestation of conformity. Independent certification bodies provide conformity assessment services and, in some areas, access to IEC marks of conformity. IEC is not responsible for any services carried out by independent certification bodies.
- 6) All users should ensure that they have the latest edition of this publication.
- 7) No liability shall attach to IEC or its directors, employees, servants or agents including individual experts and members of its technical committees and IEC National Committees for any personal injury, property damage or other damage of any nature whatsoever, whether direct or indirect, or for costs (including legal fees) and expenses arising out of the publication, use of, or reliance upon, this IEC Publication or any other IEC Publications.
- 8) Attention is drawn to the Normative references cited in this publication. Use of the referenced publications is indispensable for the correct application of this publication.
- 9) Attention is drawn to the possibility that some of the elements of this IEC Publication may be the subject of patent rights. IEC shall not be held responsible for identifying any or all such patent rights.

International Standard IEC 61076-3-122 has been prepared by subcommittee 48B: Electrical connectors, of IEC technical committee 48: Electrical connectors and mechanical structures for electrical and electronic equipment.

This first edition cancels and replaces IEC PAS 61076-3-122 published in 2015. This edition constitutes a technical revision.

The text of this International Standard is based on the following documents:

FDIS	Report on voting
48B/2554/FDIS	48B/2563/RVD

Full information on the voting for the approval of this International Standard can be found in the report on voting indicated in the above table.

This document has been drafted in accordance with the ISO/IEC Directives, Part 2.

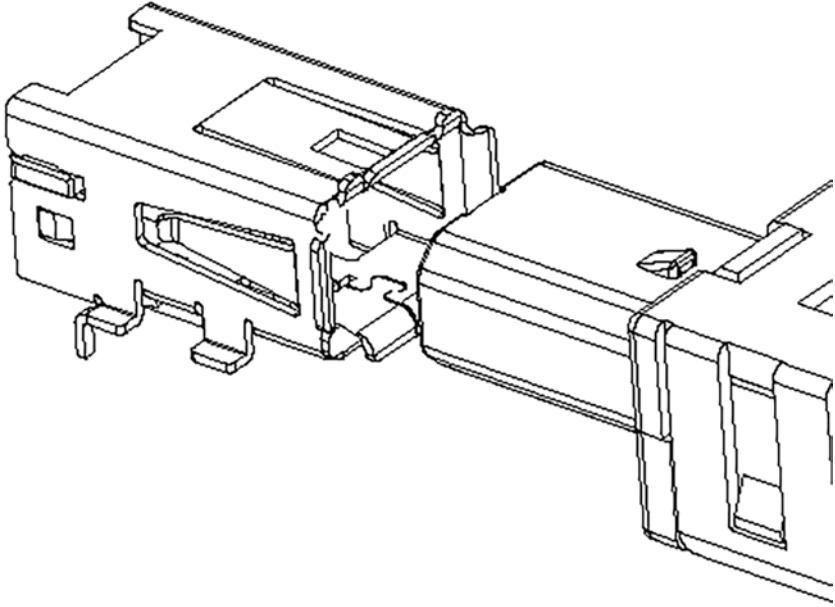
A list of all parts in the IEC 61076 series, published under the general title *Connectors for electronic equipment – Product requirements*, can be found on the IEC website.

The committee has decided that the contents of this document will remain unchanged until the stability date indicated on the IEC website under "<http://webstore.iec.ch>" in the data related to the specific document. At this date, the document will be

- reconfirmed,
- withdrawn,
- replaced by a revised edition, or
- amended.

A bilingual version of this publication may be issued at a later date.

IMPORTANT – The 'colour inside' logo on the cover page of this publication indicates that it contains colours which are considered to be useful for the correct understanding of its contents. Users should therefore print this document using a colour printer.

	IEC 61076-3-122:2017
Subcommittee 48B: Electrical connectors	
 <p data-bbox="1018 987 1054 1010">IEC</p>	Detail specification for 8-way, shielded, free and fixed connectors for I/O and Gigabit Ethernet applications in harsh environments
<p data-bbox="201 1032 1038 1084">NOTE The above view shows a Type I connector pair, with coding edges on a short side; for Type II connectors the coding edges are located on a long side.</p>	<p data-bbox="1098 1032 1385 1249">Fixed connectors are mounted on printed circuit board by means of soldering or press-in, the free connector is attached to wires by means of soldering, crimping, IDC or other termination technology.</p>

CONNECTORS FOR ELECTRICAL AND ELECTRONIC EQUIPMENT – PRODUCT REQUIREMENTS –

Part 3-122: Detail specification for 8-way, shielded, free and fixed connectors for I/O and Gigabit Ethernet applications in harsh environments

1 Scope

This part of IEC 61076 covers 8-way, shielded, free and fixed rectangular connectors for I/O and Gigabit Ethernet applications, suitable for use in harsh environments, and is intended to specify the common dimensions, mechanical, electrical and environmental characteristics and tests for this family of connectors.

2 Normative references

The following documents are referred to in the text in such a way that some or all of their content constitutes requirements of this document. For dated references, only the edition cited applies. For undated references, the latest edition of the referenced document (including any amendments) applies.

IEC 60050-581, *International Electrotechnical Vocabulary (IEV) – Chapter 581: Electromechanical components for electronic equipment*

IEC 60068-1, *Environmental testing – Part 1: General and guidance*

IEC 60068-2-38, *Environmental testing – Part 2-38: Tests – Test Z/AD: Composite temperature/humidity cyclic test*

IEC 60512-1, *Connectors for electronic equipment – Tests and measurements – Part 1: General*

IEC 60512-1-1, *Connectors for electronic equipment – Tests and measurements – Part 1-1: General examination – Test 1a: Visual examination*

IEC 60512-1-2, *Connectors for electronic equipment – Tests and measurements – Part 1-2: General examination – Test 1b: Examination of dimension and mass*

IEC 60512-2-1, *Connectors for electronic equipment – Tests and measurements – Part 2-1: Electrical continuity and contact resistance tests – Test 2a: Contact resistance – Millivolt level method*

IEC 60512-3-1, *Connectors for electronic equipment – Tests and measurements – Part 3-1: Insulation tests – Test 3a: Insulation resistance*

IEC 60512-4-1, *Connectors for electronic equipment – Tests and measurements – Part 4-1: Voltage stress tests – Test 4a: Voltage proof*

IEC 60512-5-2, *Connectors for electronic equipment – Tests and measurements – Part 5-2: Current-carrying capacity tests – Test 5b: Current-temperature derating*