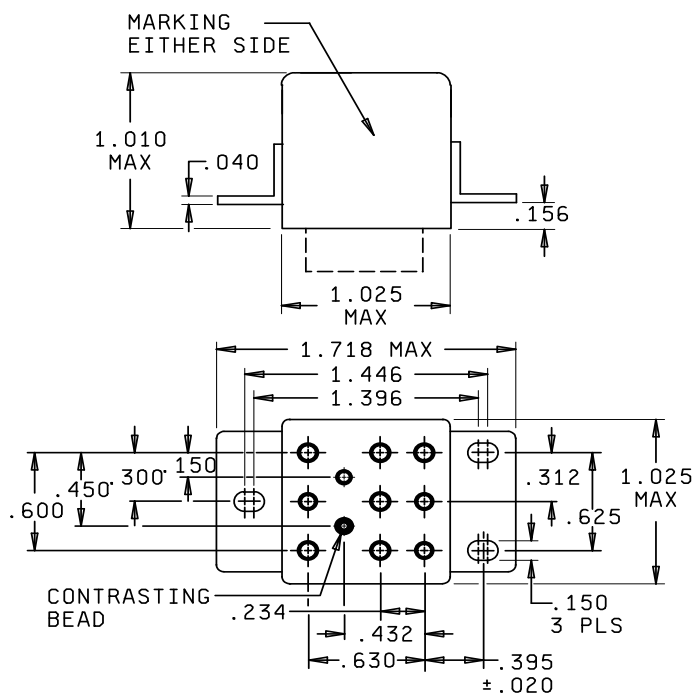


PERFORMANCE SPECIFICATION SHEET

RELAYS, ELECTROMAGNETIC, ESTABLISHED RELIABILITY, 3PDT,
 25 AMPERES (RESISTIVE), PERMANENT MAGNET DRIVE, HERMETICALLY SEALED,
 ALL WELDED, TRANSIENT SUPPRESSED DC COIL

This specification is approved for use by all Departments and Agencies
 of the Department of Defense.

The requirements for acquiring the product described herein shall consist of this
 specification and [MIL-PRF-83536](#).



Raised Vertical Flange Mount (RVFM)

SOLDER HOOK, SOLDER PIN, AND SOCKET PIN RELAYS

FIGURE 1. Configurations and dimensions.

